

# Polymer Blending System

## Easy to Maintain Polymer Feed

Pre-assembled corrosion resistant skid system is wall or floor mountable

All parts are easily removable via unions

Maintenance Trip tray for easy cleaning

Carrier water flow switch turns on and off Dosing pump

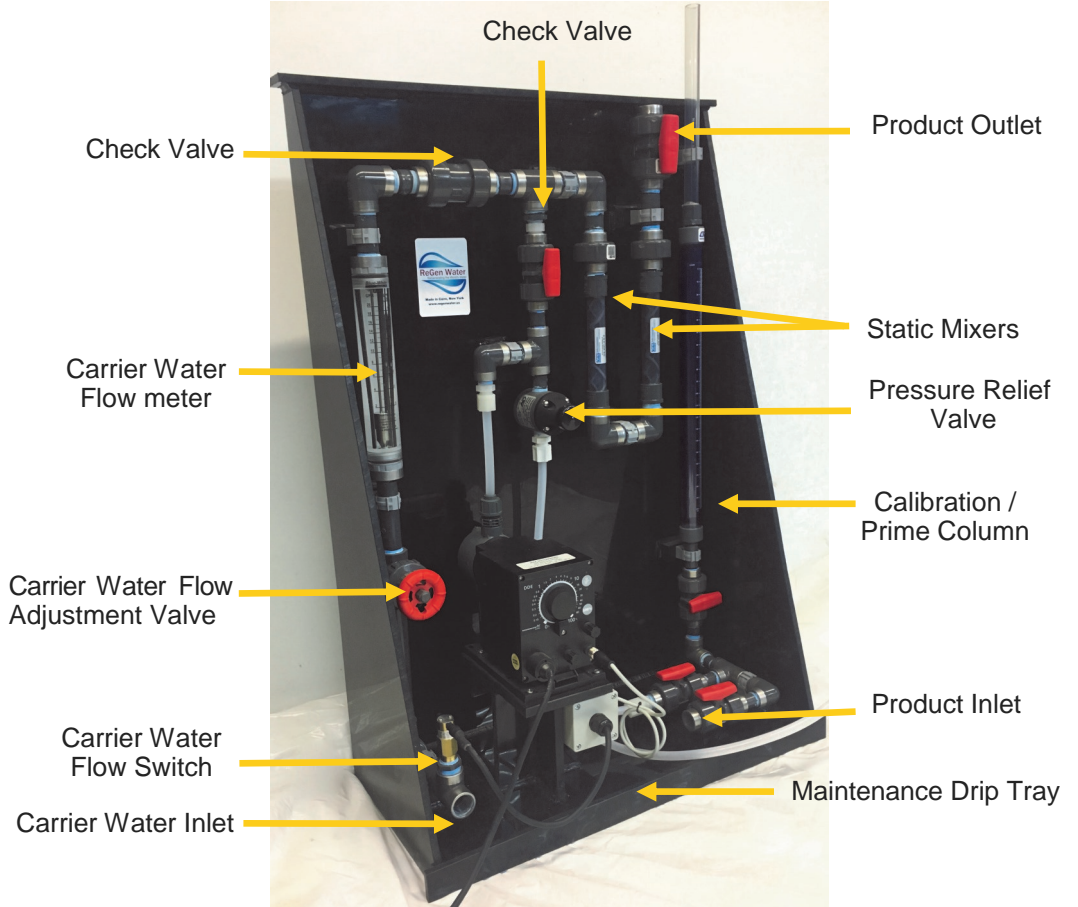
Use for Drinking Water, Wastewater and Process water

All parts are NSF approved

External Control Box option provides a solenoid valve on the carrier water, local control via an H.O.A. selector

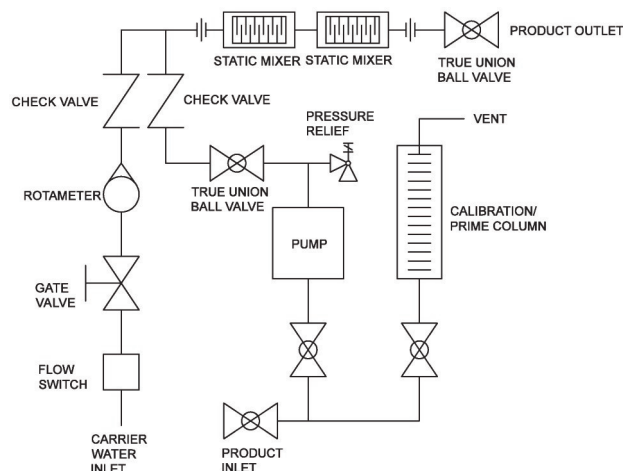
Custom systems and multiple injection point systems available

Dimensions  
36"H x 24"W x 12"D



## ReGen Blend

with Blue-White Industries Flexflo polymer pump (0.02 GPH—5.17 GPH) or Grundfos high viscosity DDE/P pump (1.5 GPH or 4 GPH)



Pre – Assembled  
Chemical Feed  
Systems

Pre-Piped for easy installation  
Flat panel or with integral maintenance drip tray  
Wall or floor mountable  
Factory assembled and tested  
Custom systems to meet Engineering requirements

---

pH Control  
Systems

Complete Plug and Play Systems to meet the  
demands of Industrial Manufacturing along with  
Municipal compliance

---

Filtration Systems

Membrane Filtration,  
Pressure Filters, Mixed media, Green Sand, Activated  
Carbon  
Rapid Sand Filter Package

---

Sequencing  
Bio-Filter

The most efficient way to Treat High Strength  
Wastewater from Food and Beverage processing  
Small Community Sanitary Wastewater Treatment

---

ReGen Blend

Simple and Robust Polymer Blending System  
Easy to keep polymer pumping  
Maintenance drip tray for easy clean up  
Also use for deformers and cleaning chemicals

---

Multi System  
Controller

Works with any pump that takes an analog / digital  
input and has features found in full SCADA systems  
Use for PID control, multiple parameters available  
Remote options for: alarming, viewing, data logging

---

CETPRO

Chemically Enhanced Treatment Package  
Customizable to your system to achieve the treatment  
level desired  
Use on: Primary, Secondary, Tertiary, Industrial

---

Service

Installation  
Start up and Training  
Operation Assistance  
Remote Monitoring

---

Represented By:



Proudly Manufactured in  
Cairo, NY 12413  
(518) 719 - 9059  
[www.ReGenWater.US](http://www.ReGenWater.US)



Clean Waters Inc  
(P): 315-482-3787  
[www.cleanwaters.us](http://www.cleanwaters.us)